



USER AND
MAINTENANCE
MANUAL
SERIES
XM TORCH

CONTENTS:

1. INFORMATIVE SECTION	
1.1 Preface	4
1.2 Identification of the main parts	7
1.3 Optional parts	8
1.4 Manufacturer's identification data	8
1.5 Identification plate.....	8
1.6 Intended use	8
1.7 Allowed environmental conditions	8
1.8 Noise level.....	9
1.9 Technical data	10
1.10 Warranty.....	11
2. SAFETY SECTION	
2.1 Safety information	12
2.2 Safety requirements	13
2.3 Safety plates and symbols	15
2.4 Residual risks	16
2.5 Applied Directives	17
3. HANDLING, UNPACKING AND INSTALLATION SECTION	
3.1 Handling	18
3.2 Unpacking	18
3.3 Installation	20
4. OPERATION SECTION	
4.1 Description of the controls	22
4.2 Operating cycle	23
4.3 Filter cleaning	24
4.4 Container emptying	26
4.5 Inserting and locking the dirt container	27
4.6 Storage - decommissioning	28
5. MAINTENANCE SECTION	
5.1 Information notes.....	29
5.2 General safety regulations	30
5.3 Filter cartridge replacement	32
5.4 Spark trap filter cleaning	34
5.5 HEPA cartridge replacement (where provided for).....	36
5.6 Troubleshooting	37
5.7 Scrapping	38



1. INFORMATIVE SECTION



This manual is an integral part of the vacuum cleaner. Read this manual and the attachments provided with the supply carefully. Knowing the instructions contained in it is crucial for using the vacuum cleaner and carrying out maintenance operations under full

IMPORTANT - The DEPURECO name and logo used in this document refer to and belong to **DEPURECO INDUSTRIAL VACUUMS S.r.l.**

This document is the exclusive property of DEPURECO S.r.l. Full or partial reproduction by any means (graphic, electronic, etc.) is prohibited without prior authorisation by the Company Management.

1.1 Preface

Dear Customer

We thank you for preferring DEPURECO and congratulate you on choosing an XM TORCH series DEPURECO vacuum cleaner.

We have prepared this manual to allow you to fully appreciate the qualities of this machine.

We recommend reading it carefully before using it for the first time.

It includes information, recommendations and important warnings concerning the use of the vacuum cleaner, which will help you to take full advantage of the technical properties of your machine.

We recommend you carefully read the messages, warnings and indications preceded by the following symbols:



For personal safety



For the integrity of the vacuum cleaner



For environmental protection



This document has been designed for extracting dust and processing residues.

The material sucked up tends to be deposited due to gravity on the bottom of the container, under the filtering chamber, the finer particles of dust contained in the mixture, will be deposited on the surface of the filter placed inside the filtering chamber.

This manual describes the following models:

XM TORCH

The vacuum cleaner is equipped with the following filters:

- PTFE M FILTER CARTRIDGE**
- H13 FILTER **replacing the standard class M filter (optional)***
- ABSOLUTE H14 FILTER (optional)**
- SPARK TRAP FILTER**

This manual provides all the necessary information for the use and maintenance of your vacuum cleaner.

This specific model has undergone strict testing to ensure maximum reliability. Its operation and durability will depend on proper use and maintenance.

This manual is an integral part of the vacuum cleaner and must accompany it at all times, until its demolition.

In the event it is lost or damaged, you can request another copy from DEPURECO INDUSTRIAL VACUUMS S.r.l. (hereafter simply called DEPURECO).

The technical information contained in this manual is the exclusive property of DEPURECO and must be considered confidential.

Reproduction, even partial, of graphics, text and illustrations is prohibited by law.

Some details shown in the figures in this manual can differ from those on your vacuum cleaner; this is because some components can be removed to ensure maximum clarity.

For easier consultation, this manual is divided into sections that are identified by a specific graphic symbol.

The topics covered in this manual are those expressly required by Machinery Directive 2006/42/EC and the technical data are taken from the technical file archived at DEPURECO.

In compliance with Regulation 1907/2006/EC (REACH), DEPURECO declares that its products do not contain any Substances of Very High Concern (SVHC) included in the Candidate List.



This manual must be kept in a place that can be easily accessed by the personnel in charge of running and maintaining the vacuum cleaner.

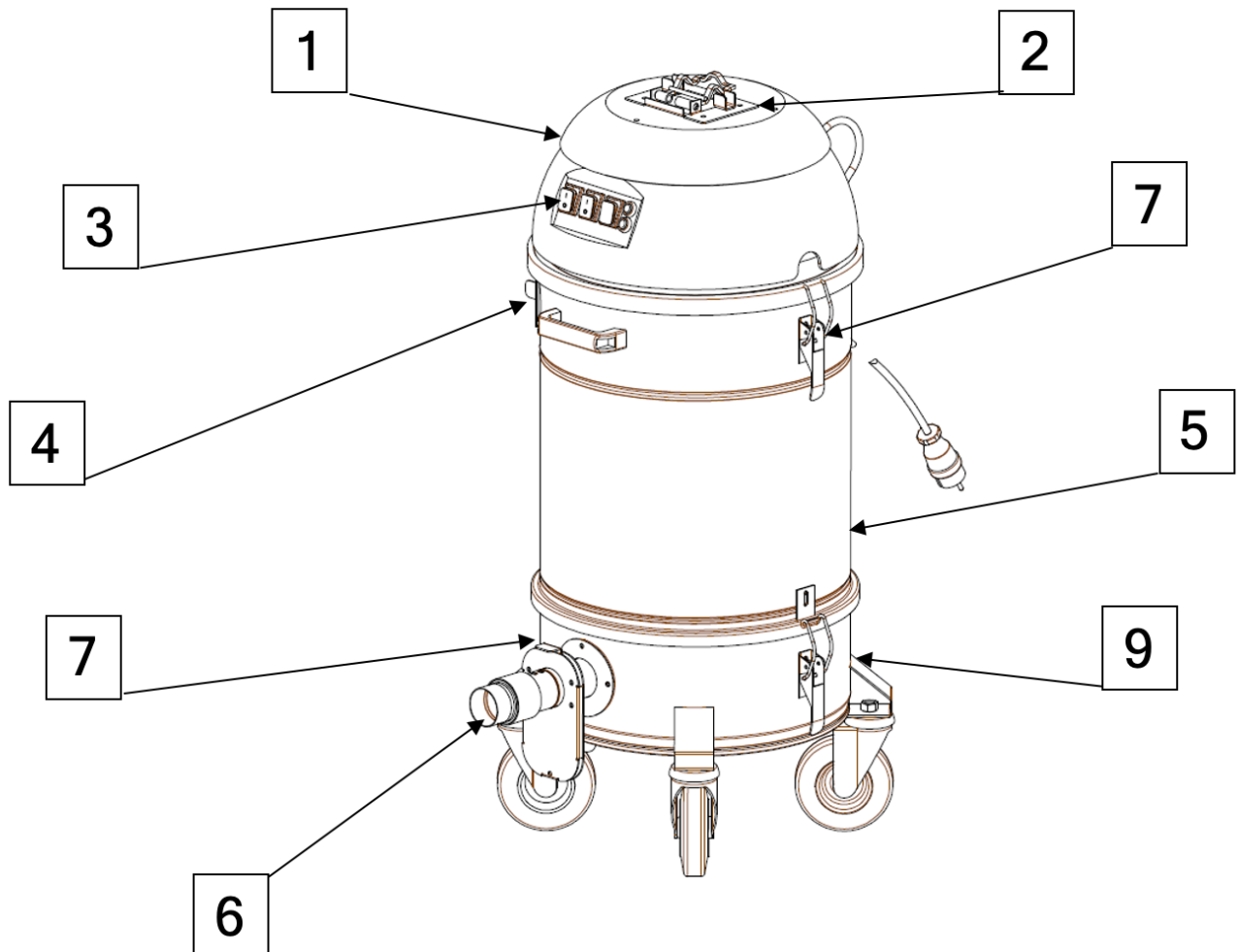
Any dispute will be heard by the Court of Turin (Italy).



This manual is an integral part of the vacuum cleaner. Read this manual and the attachments provided with the supply carefully. Knowing the instructions contained in it is crucial for using the vacuum cleaner and carrying out maintenance operations under full safety conditions



1.2 Identification of the main parts



1. Vacuum cleaner head with on/off controls
2. Welding sensor cage
3. Control switches
4. JetClean® disk lid
5. Filter chamber
6. Suction nozzle w/ flow reducer
7. JetClean® shutter
8. Container closing hooks
9. Dirt collection container



1.3 Optional parts

DEPURECO provides a wide range of optional accessories, depending on the application of the vacuum cleaner.

1.4 Manufacturer's identification data

DEPURECO INDUSTRIAL VACUUMS S.r.l.

Corso Europa 609 - 10088 Volpiano (TO) - ITALY

tel. +39 011 98 59 117 - fax +39 011 98 59 326 | P.I. 02258610357

e-mail: depureco@depureco.com - website: www.depureco.com

1.5 Identification plate

The data on the vacuum cleaner identification plate must be referred to in any communication with the manufacturer or the dealer.



1.6 Intended use

This model has been designed, manufactured and protected solely for professional industrial extraction of non-flammable and non-toxic wet and/or dry dust and shavings.

Any other use is considered **IMPROPER**.

1.7 Allowed environmental conditions

To ensure proper operation, the vacuum cleaner must be protected from the elements (rain, hail, snow, fog, suspended dusts, etc.) at a room temperature ranging between 5°C and 45°C and a humidity below 70%.

The work environment must be clean, suitably lit and must not give rise to a potentially explosive atmosphere.



1.8 Noise level

The phonometric tests performed on this specific vacuum cleaner model demonstrate a sound pressure level of

XM TORCH

72 dB(A)



ATTENTION!

Workers exposed to sound pressure levels higher than 85 dB(A) must be protected by suitable personal protection device (PPE) such as certified individual ear defenders.



Under these conditions, workers must be provided with adequate training and information on risks arising from noise exposure.



1.9 Technical data

	U.M.	XM TORCH 1 M	XM TORCH 2 M
Weight*	[Kg]	36	38
Overall dimensions**/**	[mm]	534x471 983	534x471 983
Voltage/Frequency	[V]- [Hz]	230 - 50/60	
Power	[kW -HP]	1,3 - 1,7	2,6 - 3,5
Maximum water lift	[mBar]	250	
Air flow rate	[m ³ /h]	190	380
M filter surface	[cm ²]	34.000	34.000
H filter surface (if provided)	[cm ²]	22.0000	
Noise	[dB-A]	72	
Container capacity	[L]	20	

(*) weight without packaging, packaging weight = 18 Kg

(**) overall dimensions without packaging

(***) machine overall dimensions without H filter, H filter head height = 195 mm



1.10 Warranty

DEPURECO guarantees this vacuum cleaner model for 12 months from the date of purchase indicated on the receipt upon delivery of the product.

The warranty is null and void in the event that the vacuum cleaner is repaired by unauthorised third parties, equipment, accessories or components not supplied or not authorised by DEPURECO are used or the serial number is removed (during the warranty period).

During the warranty period, DEPURECO undertakes to repair or replace free of charge parts and components, which prove to have manufacturing defects.

Repairs are made solely at our premises or in specific Service centres and must be delivered ex works (transport costs are charged to the purchaser, unless otherwise agreed upon).

The warranty does not cover cleaning of operating elements.

The purchase receipt must be shown to the authorised technical personnel carrying out the repair and must accompany the vacuum cleaner during its shipment.

Defects that are not evidently due to materials or manufacturing will be examined solely at our premises or at a specific Technical Service Centre.

Should the complaint be unjustified, all repair and/or replacement expenses shall be charged to the purchaser.

The following are excluded from the warranty: accidental damage due to transport, negligence, abnormal use, improper use, non-compliance with the instructions contained in this booklet or arising from phenomena that do not depend on normal use/operation of the vacuum cleaner.

DEPURECO shall not be held liable for any injuries to persons or damage to objects caused by misuse or improper use of the vacuum cleaner.

Any dispute will be heard by the Court of Turin (Italy).



To use the warranty visit www.depureco.com or photocopy the form available on the last page of this manual, fill it in all its parts (in capital letters would be recommended), and send it via fax to Depureco at the number + 39 011 98 59 117



When in doubt, do not interpret! Get in touch with your dealer immediately!



2. SAFETY SECTION

2.1 Safety information



In compliance with Italian Legislative Decree In compliance with Italian Legislative Decree 81/08 and subsequent additions and amendments, the Safety Manager is obliged to educate, inform and train workers on the risks related to the use of the vacuum cleaner, in order for them to be able to protect their own and others' safety.

Failure to comply with basic safety standards and precautions can cause accidents during use, maintenance and repairs of the vacuum cleaner. Accidents can frequently be avoided by recognising potentially hazardous situations before they occur. Adequate training is crucial to this end.

DEPURECO shall not be held liable for accidents or damage due to the improper use of the vacuum cleaner by untrained personnel or to failure to comply, even partially, with the occupational safety standards and intervention procedures contained in this manual.

Safety warnings and precautions are indicated in this manual as well as on the product itself. Operators must pay special attention to these hazard warnings to prevent accidents with serious consequences for themselves and other people.

Safety messages are emphasized by the following symbol:



ATTENTION!

Failure to comply with these messages can cause injuries to the operator.



ATTENTION!

Failure to comply with these messages can cause damage to the vacuum cleaner



ATTENTION! Failure to comply with these messages can cause damage to the environment.



DEPURECO designs and manufactures its equipment and accessories with care, identifying and compensating possible risks related to their use. In the event that equipment, procedures, work methods or techniques not expressly provided for by DEPURECO are used, it is crucial to ensure beforehand that there are no dangers for oneself and the others, notwithstanding that DEPURECO shall not be held liable.



Only use original Depureco spare parts.

Depureco will not be held liable in any way for the use of non-original parts.

2.2 Safety requirements



ATTENTION!

The indications below are important to prevent hazards that can occur while operating the vacuum cleaner. However, they cannot replace the expertise and common sense of the operators as an overall framework for accident prevention.

Every section lists further safety requirements specific for the various operations.

CAUTION!

- This vacuum cleaner can only be used by adequately trained adults.
- This vacuum cleaner is suitable for industrial use, such as: factories, warehouses, workshops.
- The equipment must be electrically connected to a mains equipped with efficient earthing.
- Always lock the vacuum cleaner by means of the lock located on the swivel caster during vacuum cleaner operation
- This vacuum cleaner is not intended to be used in corrosive or explosive environments



- Keep the vacuum cleaner clear from foreign bodies, such as debris, oil, tools and other objects that could damage its operation and cause injuries.
- Avoid using flammable or toxic solvents, such as petrol, benzene, ether and alcohol for cleaning operations.
- Avoid prolonged contact with solvents and inhaling their vapours.
- Avoid using it in the proximity of naked flames or heat sources; ensure suitable ventilation.
- Never use the vacuum cleaner without its filter.
- Do not vacuum lit cigarette butts: they could ignite the filter.
- Do not vacuum petrol or flammable liquids in general.
- Ensure that all the guards and protection devices are in place and that all the safety devices are properly installed and efficient.
- Do not wear loose or baggy clothing, such as ties, scarves, ripped clothes that could get easily caught or trapped in the vacuum cleaner.
- Do not open the container while the vacuum cleaner is operating.
- Extensions, press-fit plugs and adapters are prohibited.
- It is prohibited to use the vacuum cleaner on operating machines
- Do not climb on the vacuum cleaner.
- Do not touch electric wires, switches, buttons, etc., with wet hands.
- Periodically verify the integrity of the power cord.
- When using the industrial vacuum cleaner, some components (motor terminal box, motor body in particular) can reach high temperatures.
- During the operations to restore original work conditions, the personnel in charge must ensure at the end of the procedure, normal operating and safety conditions of the vacuum cleaner and, in particular, of the safety devices and protective guards involved in the operation.
- In the event that the Customer installs a tool not supplied by DEPURECO on the vacuum cleaner, it is essential to verify that the safety requirements of Machinery Directive 2006/42/CE are met, notwithstanding that DEPURECO shall not be held liable for problems caused by the use of that part.
- Structural damage, alterations or improper repairs can modify the protective capacity of the vacuum cleaner, thereby nullifying this certification and releasing DEPURECO from any liability.



- This manual must always be kept at hand for consultation on the operating cycle and for clarifying any doubts.
- In the event it is lost or damaged, request another copy from DEPURECO.



ATTENTION!

This vacuum cleaner can contain harmful dust.

Emptying and maintenance procedures, including the disposal of the dust collection containers, must be carried out only by specialised personnel wearing suitable personal protective equipment.

Never activate the vacuum cleaner without a complete filtering system.

2.3 Safety plates and symbols

Plates with safety symbols and messages are applied to the vacuum cleaner and its packaging. These pages show their precise location and the nature of the hazard.



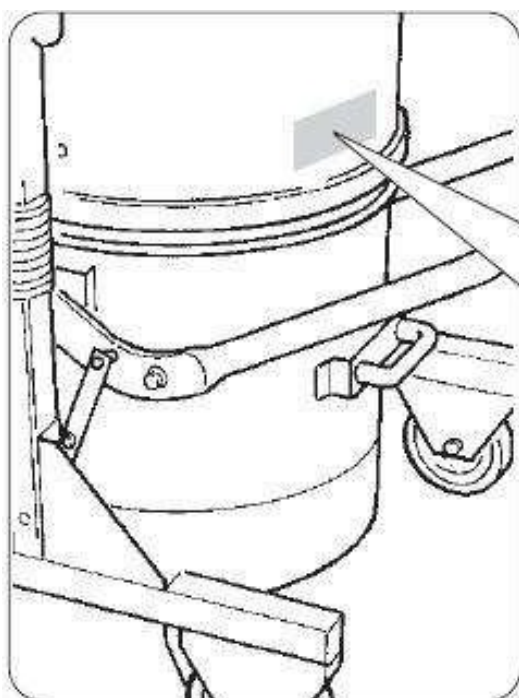
Attention!

Ensure that all safety messages are perfectly legible.

Clean them with a cloth, water and soap. Do not use solvents, naphtha or petrol.

Replace damaged plates requesting them from DEPURECO.

In the event that a plate is located on a piece that is replaced, ensure that a new plate is affixed to the new piece.





Attention!

Upper limb crushing hazard while inserting and locking the dirt container in place under the vacuum cleaner.

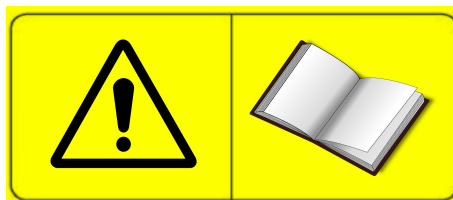
Never place your hands between the vacuum cleaner and the dirt container while inserting and locking the dirt container in place under the vacuum cleaner.

Lock the container in place by means of the dedicated lever, using **BOTH HANDS**



Attention!

Carefully read this use and maintenance manual before using the vacuum cleaner or carrying out maintenance work



Carefully read the instructions on the packaging before handling the vacuum cleaner.

2.4 Residual risks

DEPURECO recommends complying with the instructions, procedures and recommendations in this manual and with the safety standards in force. DEPURECO also recommends using suitable personal protective equipment as well as the protection devices integrated in the vacuum cleaner.

The residual risks analysed on the vacuum cleaner and/or its components can be:

Electrical risks during maintenance on live parts

Pursuant to Italian Legislative Decree 81/08 - articles from 80 to 87 - it is prohibited to operate on live parts, notwithstanding the exceptions set forth by said Legislative Decree.

Risk of improper use in presence of liquid, explosive and flammable substances

The vacuum cleaner must not be used in environments containing liquid substances or liquids that can evaporate at room temperature, flammable powders and gas.

Risks related to operation in humid environments

Comply with the limitations indicated in this manual, in section 1.5 "Permitted environmental conditions".



Risks of misinterpretation of safety pictograms

With reference to risk analysis and identification, DEPURECO has installed hazard labels on the vacuum cleaner, in compliance with the standard concerning graphic symbols.

The user must immediately replace any safety plate made illegible due to wear or damage.



Attention!

It is strictly prohibited to remove the safety plates from the vacuum cleaner and/or its components and packaging.

DEPURECO shall not be held liable for the vacuum cleaner's safety in the event of failure to comply with this prohibition.

2.5 Applied Directives

The following Directives apply to the vacuum cleaner described in this manual:

- **2006/42/EC Machinery Directive**
- **2014/30/EU Electromagnetic Compatibility Directive**
- **2011/65/EU - ROHS - Directive on the restriction of the use of certain hazardous substances in electrical and electronic equipment**

Reference standards, including their binding requirements, are managed through the DEPURECO Quality Management System



3. HANDLING, UNPACKING AND INSTALLATION SECTION

3.1 Handling



Attention!
The instructions for transporting and unpacking the vacuum cleaner correctly are shown also on the packaging.

The instructions below also include the operations to be carried out in the event that the vacuum cleaner must be packed or unpacked again for subsequent transport.



The vacuum cleaner must be lifted and handled exclusively using a forklift having suitable load bearing capacity.

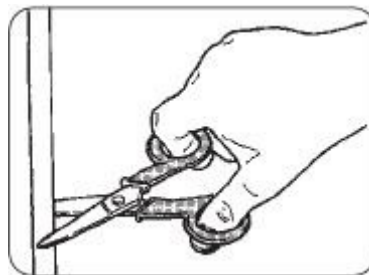
When using a forklift, lift the load 200 mm off the ground and swing backwards.

Always keep the height of the working environment in mind when lifting loads.

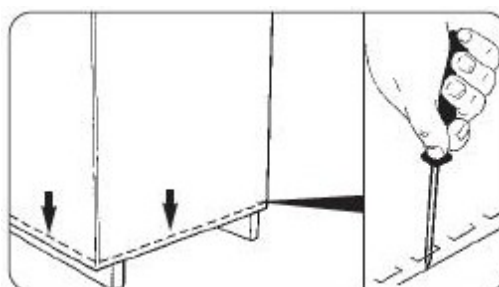
Before starting any movement, ensure that the area is cleared and that there are no moving objects on the packaging. For lifting and handling operations, comply with the occupational safety standards in force and with the normal forklift driving instructions.

3.2 Unpacking

- Cut and remove the two packaging fasteners,



- with a screwdriver remove the staples that secure the carton to the pallet





- remove the carton



- cut the two fasteners between the pallet and the vacuum cleaner base



The cardboard packaging is recyclable and should be collected separately to prevent environmental impact.



Attention!

Keep the pallet and the fastening brackets.

In the event of subsequent transport, the vacuum cleaner must be secured to the pallet

using the same fastening system.



3.3 Installation



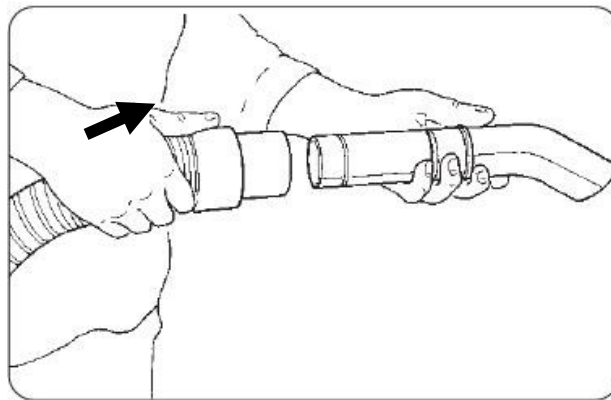
Warning!

Before installing the vacuum cleaner, it is important to carry out a thorough preventive visual inspection to identify any damage occurred during transport.

In the event that one or more components are damaged, do not continue with installation and inform DEPURECO about the anomaly and agree upon the actions to be taken.

The vacuum cleaner is already equipped with a suction filter, which allows extracting only dry dust or debris

- Insert the hose fitted with a terminal to the designated suction nozzle (detail no.5, chap. 1.1)
- insert the accessory according to the type of extraction on the opposite side of the hose

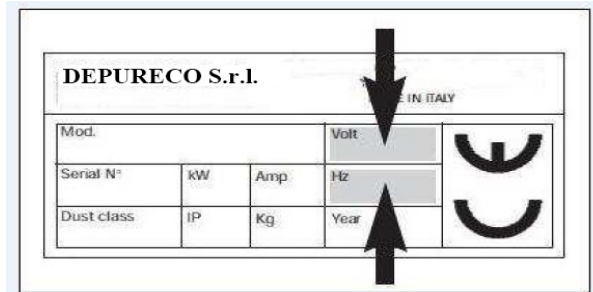


Note: the hose with its terminals and the suction accessories are not included as STANDARD. Contact your dealer (or DEPURECO) for information regarding the various types of OPTIONAL that can be used on this specific model.



The following operation must be carried out by a qualified electrician.

Ensure that the power supply line corresponds to the voltage and frequency indicated on the identification plate and that it is efficiently earthed.



The socket to power the vacuum cleaner must be protected by a mains disconnect switch in compliance with EU standards.

Insert the plug (standard supply) into the socket.



Attention!

**Do not insert the plug into the socket with wet hands.
The use of extensions is not allowed.**



4. OPERATION SECTION

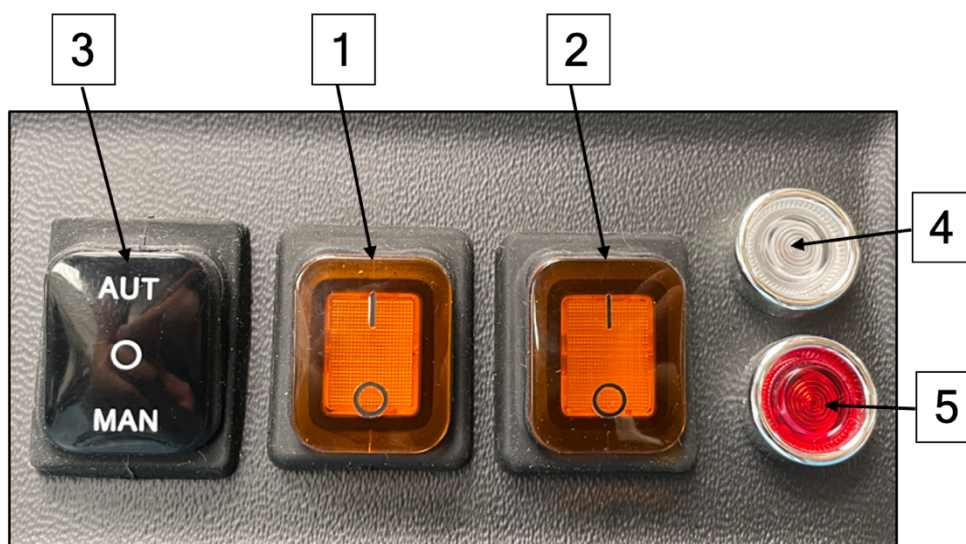
4.1 Description of the controls



Attention!

The vacuum cleaner can be used solely by authorised personnel after having read these use and maintenance instructions.

The user of the equipment and the maintenance technician, who carry out interventions on the vacuum cleaner, must be adequately educated, informed and trained, in compliance with the occupational safety standards in force and, during the various operations, must wear personal protective equipment (PPE), such as safety footwear, gloves, protective goggles, mask, etc. The user must comply with the provisions in force concerning extracted materials and their disposal.



1. First motor ON-OFF switch*
2. Second motor ON-OFF switch*
3. AUTO / MANUAL mode switch
4. White indicator light: VOLTAGE PRESENCE
5. Red indicator light: CLOGGED FILTER



* In the XM TORCH 1M version the motor switches [1] and [2] are not present



4.2 Operating cycle

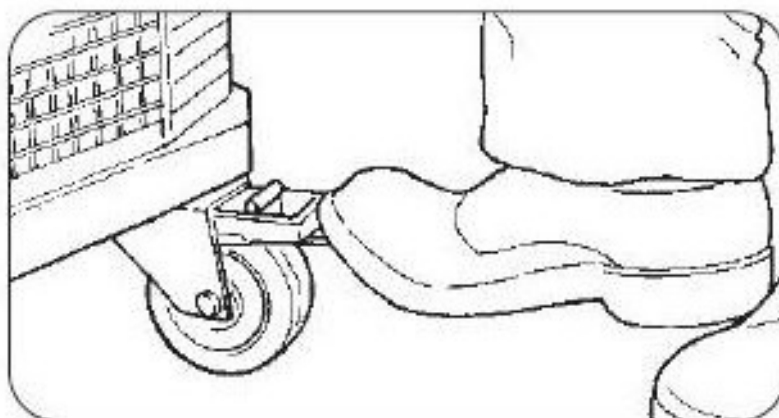
Ensure that the power cord is intact and in perfect state.



Attention!

Before inserting the plug, ensure that the voltage of the power supply line corresponds to that indicated on the vacuum cleaner's identification plate.

- Ensure that the power plug is inserted correctly into the socket.
- Make sure the hose is inserted properly and tightened in the special suction nozzle (detail no. 5, chapter 1.1).
- Make sure the dirt collection container (detail no. 9, chap. 1.1) is fitted and locked under the chamber (detail no. 4, chap. 1.1) of the vacuum cleaner
- Block the vacuum cleaner using the lever on the swivel caster, as shown in the figure.



Press the switch [3] ch. 4.1 and choose the AUTOMATIC or MANUAL mode.

Press one of the switches (1 or 2) and start to vacuum cleaner.

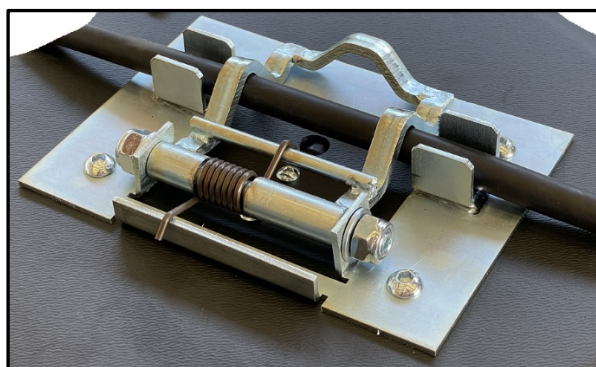
For greater suction power the second motor can be turned on by pressing the other switch.

To turn off the vacuum cleaner, press the switches previously turned on, or set the AUT/MAN switch to [0].



In order to use the vacuum cleaner's AUTOMATIC mode, you need to:

- adjust the switch [3] ch. 4.1 to the AUT setting
- position the welding machine cable on the special welding cage [2] ch. 1.2



The vacuum cleaner will start automatically by using the welder. The suction will stop automatically when it is no longer in use.

Use the handle (detail no. 2, ch.1.2) on the back of the machine to move the vacuum cleaner or the handle located on the front of the machine.

The red CLOGGED FILTER indicator light (4) indicates that the filter is clogged. If the filter is on, first of all make sure that the hose and/or the suction accessory are not clogged. In this case, remove the cause of the clogging. Otherwise, it will be necessary to clean the filter as described in the next paragraph.



Warning!
During operation, prevent the hose from rolling up or bending.



Warning!
Do not use the vacuum cleaner with the filter clogged



4.3 Filter cleaning

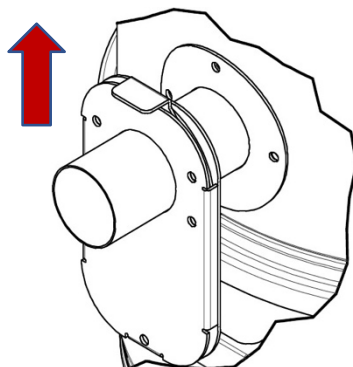
To clean the filter cartridge, the vacuum cleaners belonging to the XM TORCH family, in the "JC" model, are equipped with the JetClean® cleaning system.

The system works due to the difference in pressure between the internal atmosphere and the external atmosphere leading to the dust becoming detached from the filtering fabric of the cartridge, without needing to switch the vacuum cleaner off.

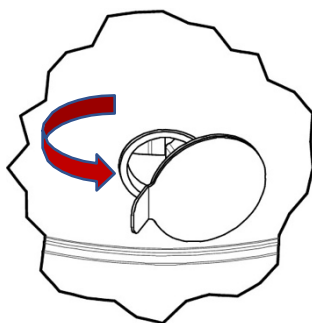
The system is made up of a disk lid on the filter chamber and a shutter located on the suction nozzle.

Proceed as follows to clean the filter:

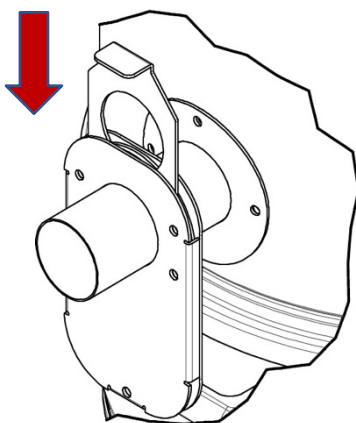
- With the vacuum cleaner on, raise the shutter (detail no.7, ch. 1.1) installed on the suction nozzle



- Open the disk lid for a few seconds (detail no.3, chapter 1.1) and repeat the step a couple of times.
Turn on both motors to ensure the cleaning system is more effective



- Lower the shutter (detail no.7, ch. 1.1) and resume normal use



Attention!
The JetClean® cleaning system only works with the vacuum cleaner switched on.



4.4 Container emptying

Depending on the type and quantity of material being vacuumed, it is necessary to check periodically the dirt container to avoid filling it excessively.

Proceed as follows to empty the container:

- Turn off the machine
- As previously mentioned, the vacuum cleaner can be locked using the brake positioned on the rotating wheel
- Unlock the container unhooking the special closing hooks
- Take the container out from below the filter chamber using the special handles



Attention!

If the container weighs over 15 Kg, have somebody help you.



Attention!

Waste disposal must take place in compliance with the laws in force in the country in which the vacuum cleaner is used - for Italy Legislative Decree 152/2006 and subsequent amendments.

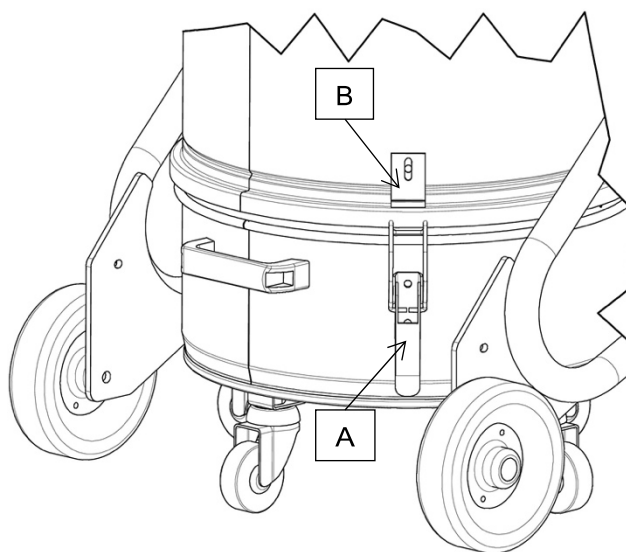
In the event of use with class M and H dusts, these must be conveyed to a special plastic bag



4.5 Inserting and locking the dirt container

Follow the steps below to insert and lock the container:

- Insert the container under the vacuum cleaner, aligning the closing hooks (A) with the corresponding parts (B) located on the filter chamber



- Lift the container towards the chamber and lock the closing hooks. If necessary, ask someone to help you



Attention!
Upper limb crushing hazard!

Do not, under any circumstance, place your hands between the container and the vacuum cleaner while locking it

4.6 Storage - decommissioning

Remove the filter and clean it, empty the debris collection container or remove the bag part with the debris and store the vacuum cleaner in a place protected from atmospheric agents with temperatures between 0° and 40°C, covering it with a nylon sheet so as to avoid dust build



5. MAINTENANCE SECTION



Attention!

Special vacuum cleaner maintenance must be carried out solely by specialised technicians authorised by the DEPURECO dealer.

5.1 Information notes

This section describes the verifications and routine maintenance operations required to ensure proper vacuum cleaner operation.

Maximum reliability and minimum maintenance costs are the result of a planned maintenance and inspection schedule carefully followed throughout the entire lifespan of the vacuum cleaner.

Observe the set maintenance intervals and schedule the interventions according to specific requirements in relation with the vacuum cleaner production cycle.

Always use tools that are in perfect state and that are specifically intended for the operation to be carried out; the use of inadequate or inefficient tools can cause serious damage.

Any other intervention required to eliminate faults or malfunctions must be expressly authorised by the manufacturer.

In these cases, always communicate the vacuum cleaner identification data - see par. 1.4 of this manual.

For important repairs, refer to the authorised dealer, whose specialised personnel has the technological expertise and is always available for prompt interventions.

As for interventions carried out by the user, the vacuum cleaner must be disassembled, cleaned and maintained, where possible, in such a way as to prevent hazards to the maintenance personnel and to third parties. Suitable precautions include decontamination prior to disassembly, forced filtered ventilation of the room where the equipment is disassembled, cleaning the maintenance area and wearing suitable personal protective equipment.

At least once every three months (or more frequently, depending on the operating cycle and the conditions of use), the manufacturer or a qualified technician must check the filters to ensure they are not damaged, and must check proper operation of the control devices.

Should maintenance operations or repairs be carried out, all contaminated objects must be adequately cleaned, placed in waterproof bags and disposed of in compliance with the standards in force.



5.2 Information notes



Attention!

All the operations described must be carried out with the vacuum cleaner unplugged.



Before starting any maintenance or cleaning operation, wear suitable PPE (protective clothing, goggles and/or gloves, etc.) according to the work to be done.

Place a sign on the vacuum cleaner with the message:

**“MACHINE UNDER MAINTENANCE
DO NOT START”**



Before resuming operation, verify the entire system according to start-up procedures. Run a few trial operating cycles after every maintenance operation to ensure proper machine operation.

Failure to comply with these precautions can cause serious injuries to the personnel.

Maintenance operations must be carried out by trained technicians specialised in the following sectors:

- Mechanical maintenance
- Electrical maintenance

It is the Safety Manager's duty to ensure the professionalism and skills of these technicians.

Before starting any maintenance operation, the Safety Manager must:

- Keep unauthorised personnel out of the work area.



- Ensure that the necessary tools are in good conditions and readily available to the maintenance technician.
- Ensure that the maintenance technician is equipped with the personal protective equipment required for the specific operation (gloves, goggles, shoes, mask, etc.)
- Ensure that the maintenance technician has carefully read the instructions contained in this manual and knows the operation of the vacuum cleaner and its components perfectly well.



- Ensure that there is enough light and, if necessary, provide 24 Volt torches.

Before starting any maintenance operation, the maintenance technician must:

disconnect all power supplies and safely lock the vacuum cleaner



Attention!

If working with the power on is absolutely necessary, when provided by Legislative Decree 81/08, the maintenance technician must remain at a safe distance, have stop buttons at hand and must never place his hands into the discharge volume.

Upon completing the intervention and before starting up again, the maintenance technician must verify the efficiency of the safety devices and the integrity of the protective guards.

Interventions on the motors or on other electrical components must only be carried out by the specially trained electrical maintenance technician authorised by the Safety Manager.



Attention!

After every maintenance operation, the Safety Manager is obliged to ensure the safety conditions of the vacuum cleaner and its protection devices.

Before every work shift

- Check that the power cord and plug are not damaged: replace immediately if it shows signs of wear, using a cable of the same type (information at DEPURECO) - this operation requires the skills of an electrician.
- Check the integrity of the safety pictograms applied to the vacuum cleaner.
- Check the filter(s) to make sure they are in good working order
- Ensure the integrity of the suction hose and of the accessories to be used.



Attention!

A perforated hose reduces suction power and disperses dust in the air.



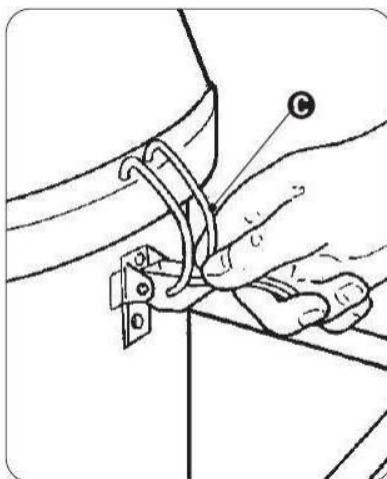
5.3 Filter cartridge replacement



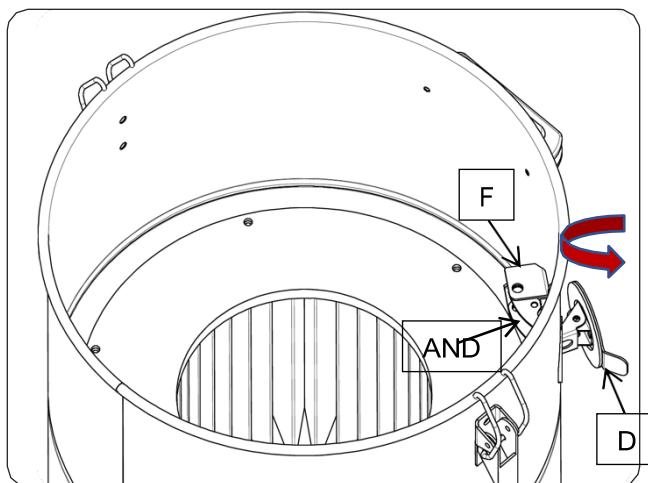
Attention!
Wear appropriate PPE (dust mask, latex gloves, goggles, etc.).

Proceed as follows to replace the filter:

- Switch the vacuum cleaner off
- Disconnect the vacuum cleaner from the power supply
- Unlock the closing hooks on both sides



- Remove the head
- Remove filter H (where provided for)



- Unscrew the fastening screws of the filter cartridge and pull it out from inside the filter chamber.



Remove the filter, place it inside a plastic bag, close it and dispose of it in compliance with the laws in force for the extracted material

To reassemble the filter, operate in reverse order:

- Insert the new filter inside the filter chamber
- Tighten the cartridge fastening screws
- position filter H (where provided for)
- position the head on the filter chamber or on filter H (where provided for)
- lock the closing hooks
- connect the power supply
- switch the vacuum cleaner on and immediately evaluate whether it is working normally

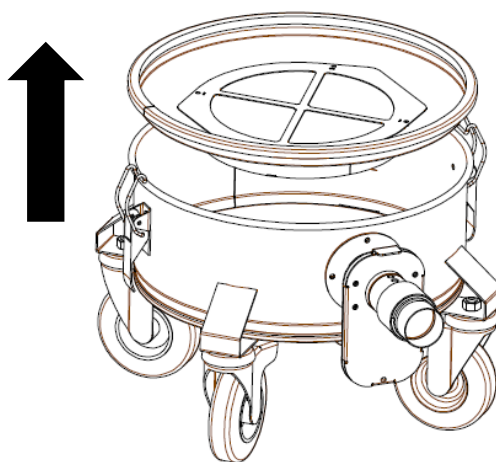


5.4 Spark trap filter cleaning

Proceed as follows to clean the spark trap filter:

- With the help of a second person, lift the upper section of the extractor (detail [1] and [5], chapter 1.2);
- Unlock the container unhooking the closing hooks between the filter chamber and the waste container (detail [A] and [B], chapter 4.5);
- Use compressed air (6 bar maximum) to clean the spark trap filter;

To reassemble the filter, replace the filter and the upper part of the vacuum cleaner, operating in reverse order.





5.5 HEPA cartridge replacement (where provided for)

To replace the HEPA cartridge, proceed as follows:

- Switch the vacuum cleaner off
- Disconnect the vacuum cleaner from the power supply
- Unlock the two filter H strip closing hooks on both sides from the vacuum cleaner head
- Remove the head
- Unlock the two filter chamber closing hooks on both sides from the filter H strip
- Remove the filter H strip, turn it upside down on a work bench and unscrew the HEPA cartridge fastening screws and remove it from its slot



remove the filter, place it inside a plastic bag, close it and **dispose of it in compliance with the laws** in force for the extracted material.

To re-assemble the HEPA cartridges, proceed in reverse order:

- Position the new HEPA cartridge in its slot and tighten the fastening screw provided. Ensure that it is properly secured
- Replace the filter H strip on the filter chamber and lock it with the special closing hooks
- Place the vacuum cleaner head above the filter H strip and lock it with the special closing hooks
- connect the vacuum cleaner to the mains power supply
- Turn the vacuum cleaner on and immediately check whether it is in good working order

ONLY USE FILTERS MANUFACTURED BY DEPURECO



5.6 Troubleshooting

ANOMALY DETECTED	POSSIBLE CAUSE	SUGGESTED SOLUTION RECOMMENDED
The vacuum cleaner does not start up	<ul style="list-style-type: none">- No power supply Switch	<ul style="list-style-type: none">- Check that there is voltage in the socket- Check the electric plug and power cord- Contact the DEPURECO technical service centre
Irregular Extraction	<ul style="list-style-type: none">- Clogged filter	<ul style="list-style-type: none">- Clean the filter. Should this not be enough, replace it.
	<ul style="list-style-type: none">- Clogged suction hose	<ul style="list-style-type: none">- - Check the suction hose and clean it.
Excessively noisy motors	<ul style="list-style-type: none">- Motor(s) failure	<ul style="list-style-type: none">- Contact the DEPURECO technical service centre



5.7 Scrapping



To prevent damaging the environment in the event of scrapping, all the components of the vacuum cleaner must be disposed of responsibly in suitable landfills and in compliance with the standards in force - for Italy, Legislative Decree 152/2006 and subsequent amendments and additions.

Before scrapping the machine, the plastic and rubber materials must be separated from the electrical material.

Correct disposal of this product (electrical and electronic waste)

Electric and electronic components of this product must be disposed of in accordance with Italian Legislative Decree 151/2005 and subsequent amendments and additions. (Directive 2002/96/CE regarding WEEE - Waste Electrical and Electronic Equipment)

The parts of the vacuum cleaner made of plastic material, aluminium and steel can be recycled in appropriate centres.



When in doubt, do not interpret! Get in touch with your dealer immediately!



MAINTENANCE LOG:

INTERVENTION 1:

DATE:

TECHNICAL ASSISTANCE:

TYPE OF INTERVENTION:

INTERVENTION 2:

DATE:

TECHNICAL ASSISTANCE:

TYPE OF INTERVENTION:

INTERVENTION 3:

DATE:

TECHNICAL ASSISTANCE:

TYPE OF INTERVENTION:

INTERVENTION 4:

DATE:

TECHNICAL ASSISTANCE:

TYPE OF INTERVENTION:



Depureco Industrial Vacuums Srl

Company subject to the management and co-ordination of COFISE spa

Corso Europa, 609 - 10088 Volpiano (TO)
Tel. +39 011 98.59.117
Fax +39 011 98.59.326

www.depureco.com
depureco@depureco.com
depureco@documentipec.com

Tax Number and VAT 02258610357
Business Registry of Turin • **EAI** TO - 1149668
Share Capital: € 25,000 fully paid up

PERFORMANCE ON VACUUM SINCE 1972